

[TopPage](#)>>[Search Result](#)>>7234BDB

# Angular Contact Ball Bearings

Bearing No. : **NACHI 7234BDB**

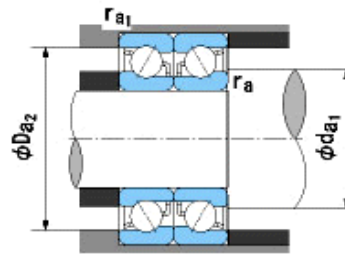
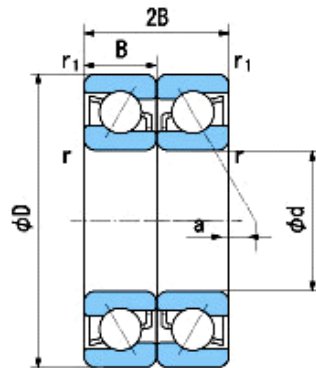
■ Bearing Type

■ Clearance

■ Tolerance Class

## Dimensions

d = 170<sup>0</sup><sub>-0.025</sub>  
 D = 310<sup>0</sup><sub>-0.035</sub>  
 B = 52<sup>0</sup><sub>0.000</sub>  
 r = 4~6.5  
 (Radial Direction)  
 r = 4~9  
 (Axial Direction)  
 r1 = 1.5~3  
 (Radial Direction)  
 r1 = 1.5~5  
 (Axial Direction)  
 a = 74.7



## Dimensions

da1(min) = 188  
 da2(min) = 179  
 Da1(max) = 292  
 Da2(max) = 301  
 ra(max) = 3  
 ra1(max) = 1.5  
 Mass = 34.8 kg

Basic Dynamic Load Rating Cr : **410,000** N

Basic Static Load Rating Cor : **620,000** N

Limiting Speed ;

Grease Lubrication : **1,300** min<sup>-1</sup>

Oil Lubrication : **1,700** min<sup>-1</sup>

	INNER RING	OUTER RING
O.D.Surface Runout with Side :		-
Axial Runout with Bore :	-	-
Axial Runout with Raceway :	-	-
Width Variation :	<b>0.030</b>	<b>0.030</b>
Radial Runout :	<b>0.030</b>	<b>0.060</b>